

# PP4000 AC PowerPack

AC/DC Converter to Supply PS4000 Pump Systems with Backup Power from a Generator or Mains Supply

## ORDER INFORMATION

- Item no.: 19-000180    product name: Power Pack 4000

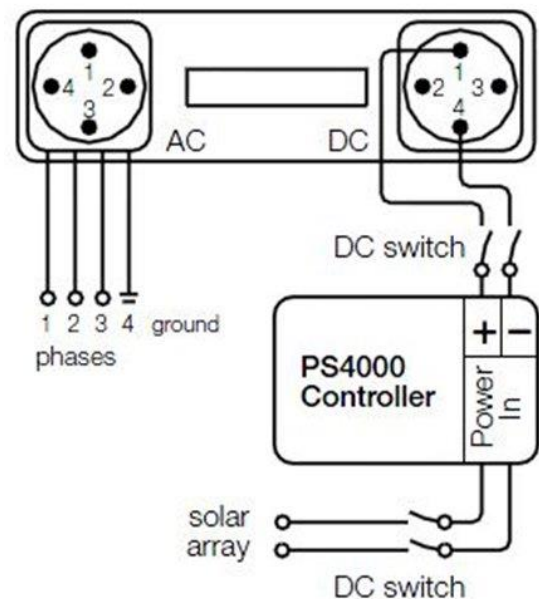
## TECHNICAL DATA

- 3-Phase AC input: 380V ( $\pm 20\%$ ), 45 to 65Hz
- DC output: 190-286V, 5.7kW
- DC output rated current: 20A @ 230V DC
- Must be protected from direct mid-day sun
- IP42
- Ambient temperature:  $-5$  to  $45^{\circ}\text{C}$
- Efficiency up to 94%
- Passive cooling, no fan
- All wires must be #14 AWG ( $2.5\text{ mm}^2$ ) or larger
- Manual with further informations is available in PartnerNet
- Meets the requirements for CE



## DIMENSION/WEIGHT

- Packaging dimensions: 332 x 210 x 202 mm  
15.7 x 8.7 x 8.3 in
- Total weight: 14.5 kg / 30 lbs



**BERNT LORENTZ GmbH & Co. KG**  
 Siebenstuecken 24, 24558 Henstedt-Ulzburg, Germany  
 Tel +49 (0)4193 8806-700, [www.lorentz.de](http://www.lorentz.de)

**Sun. Water. Life.**

All specifications and information are given with good intent, errors are possible and products may be subject to change without notice. Pictures may differ from actual products depending on local market requirements and regulations.